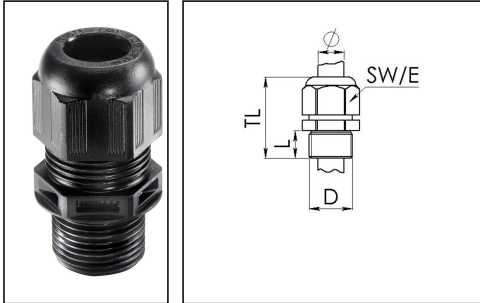


## ESKV-L 40 LT

Cable gland LowTemp, polyamide, M40, RAL 9005 with long thread



Product illustrations are exemplary and may differ from the chosen product. Further variants and individual customization, we will gladly provide you on request.



Material cable gland	Polyamide
Material sealing gasket	Silicone
Protection class	IP69, IP68 (5 bar 30 min)
Temp. range min	-60 °C
Temp. range max	100 °C
Glow wire test	750 °C
Thread type	M
Ø Connection thread D	40
Lead	1,5
Length screw-in thread L	18 mm
Ø cable diameter min	16 mm
Ø cable diameter max	28 mm
Key width SW	46 mm
Collar diameter (E)	51 mm
Total length TL	58 mm - 71 mm
Type of cable anchorage	A
Install. torques fitting	20 N m
Install. torques cap nut	20 N m
Impact category	4
Equipment	Incl. connection thread gasket
Product Color	RAL 9005
Type	ESKV-L 40 LT
Order no. RAL 9005	10061950
Packing unit	10
ETIM-Classification	EC000441

Your Contact:

WISKA Electric Systems (Shanghai) Co., Ltd

Mr. Xu Deqin · Room 502, Building 3, No.400 Fangchun Road · Pudong Zhangjiang High-Tech Industry Park · Shanghai, China

☎ +86 21 58440056 · 📠 +86 21 58440031

xudeqin@wiska.cn · www.wiska.cn

Recommended accessories

<b>RDE 40 LT</b>	10063960
<b>BS 28</b>	10064016

19.07.2018

Your Contact:

**WISKA Electric Systems (Shanghai) Co., Ltd**

Mr. Xu Deqin · Room 502, Building 3, No.400 Fangchun Road · Pudong Zhangjiang High-Tech Industry Park · Shanghai, China

☎ +86 21 58440056 · 📠 +86 21 58440031

xudeqin@wiska.cn · www.wiska.cn



Your Contact:

**WISKA Electric Systems (Shanghai) Co., Ltd**

Mr. Xu Deqin · Room 502, Building 3, No.400 Fangchun Road · Pudong Zhangjiang High-Tech Industry Park · Shanghai, China

☎ +86 21 58440056 · 📠 +86 21 58440031

xudeqin@wiska.cn · www.wiska.cn