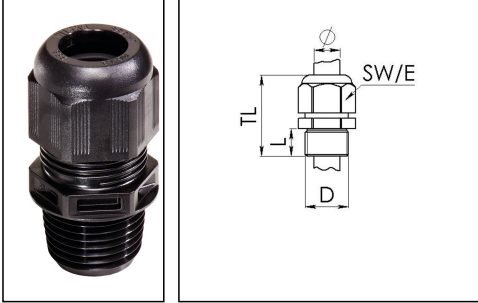


NSKV 1 1/2 LT

Cable gland LowTemp, polyamide, NPT 1 1/2", RAL 9005



Products may differ in size, colour and appearance to those shown. If you require further information or customisation, please contact us directly.



Material cable gland	Polyamide
Material sealing gasket	Silicone
Temp. range min	-60 °C
Temp. range max	100 °C
Protection class	IP69, IP68 (5 bar 30 min)
Thread type	NPT
Ø Connection thread D	1 1/2"
Length screw-in thread L	18 mm
Ø cable diameter min	21 mm
Ø cable diameter max	35 mm
Key width SW	55 mm
Collar diameter (E)	61 mm
Total length TL	65 mm - 79 mm
Glow wire test	750 °C
Type of cable anchorage	A
Install. torques fitting	30 N m
Install. torques cap nut	30 N m
Product Color	RAL 9005
Order no. RAL 9005	10061953
Type	NSKV 1 1/2 LT
Packing unit	4

Recommended accessories

Your Contact:

WISKA Electric Systems (Shanghai) Co., Ltd · 维司卡电气设备(上海)有限公司

Room 502, Building 2, No.400 Fangchun Road · Pudong, Shanghai, P.R.China 201210

上海市浦东张江高科技园区芳春路400号2幢502室 201210

☎ +86-21-58440056/58440027 · 📠 +86-21-58440031 · contact@wiska.cn · www.wiska.cn

RDE 50 LT	10063966
BS 35	10064017
EADR 50/90 LT	10105710

20.10.2019

Your Contact:

WISKA Electric Systems (Shanghai) Co., Ltd · 维司卡电气设备(上海)有限公司
Room 502, Building 2, No.400 Fangchun Road · Pudong, Shanghai, P.R.China 201210
上海市浦东张江高科技园区芳春路400号2幢502室 201210
 +86-21-58440056/58440027 ·  +86-21-58440031 · contact@wiska.cn · www.wiska.cn



Your Contact:

WISKA Electric Systems (Shanghai) Co., Ltd · 维司卡电气设备(上海)有限公司

Room 502, Building 2, No.400 Fangchun Road · Pudong, Shanghai, P.R.China 201210

上海市浦东张江高科技园区芳春路400号2幢502室 201210

☎ +86-21-58440056/58440027 · 📠 +86-21-58440031 · contact@wiska.cn · www.wiska.cn