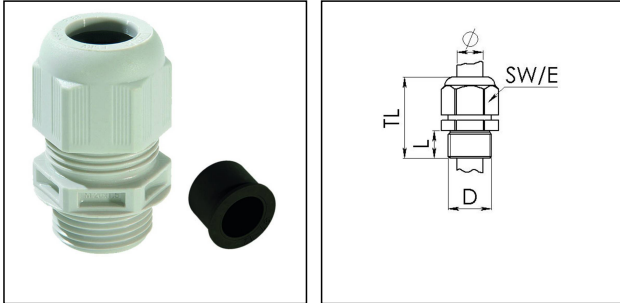


ESKV-RDE 20

Cable gland with reduction sealing insert, polyamide, M20, RAL 7035



Product illustrations are exemplary and may differ from the chosen product. Further variants and individual customization, we will gladly provide you on request.



| | |
|--------------------------|---------------------------|
| Material cable gland | Polyamide |
| Material sealing gasket | EPDM |
| Temp. range min | -40 °C |
| Temp. range max | 100 °C |
| Protection class | IP69, IP68 (5 bar 30 min) |
| Thread type | M |
| Ø Connection thread D | 20 |
| Lead | 1,5 |
| Length screw-in thread L | 10 mm |
| Ø cable diameter min | 4 mm |
| Ø cable diameter max | 13 mm |
| Key width SW | 24 mm |
| Collar diameter (E) | 27 mm |
| Total length TL | 36 mm - 45 mm |
| Glow wire test | 750 °C |
| Type of cable anchorage | A |
| Install. torques fitting | 4 N m |
| Install. torques cap nut | 3 N m |
| Impact category | 3 |
| Advice | With reduction insert |
| Product Color | RAL 7035 |
| Order no. RAL 7035 | 10064978 |
| Type | ESKV-RDE 20 |
| Packing unit | 50 |
| ETIM-Classification | EC000441 |

Your Contact:

WISKA Electric Systems (Shanghai) Co., Ltd · 维司卡电气设备(上海)有限公司

Mr. Xu Deqin · Room 502, Building 2, No.400 Fangchun Road · Pudong, Shanghai, P.R.China 201210

徐德勤 · 上海市浦东张江高科技园区芳春路400号2幢502室 201210

☎ +86-21-58440056/58440027 · 📠 +86-21-58440031 · 📠 +86-13801910931 · ✉ xudeqin@wiska.cn · 🌐 www.wiska.cn

Recommended accessories

| | |
|----------------|----------|
| EMUG 20 | 10060772 |
| EADR 20 | 10062803 |
| BS 8 | 10064006 |
| BS 13 | 10064010 |




19.11.2018

Your Contact:

WISKA Electric Systems (Shanghai) Co., Ltd · 维司卡电气设备(上海)有限公司

Mr. Xu Deqin · Room 502, Building 2, No.400 Fangchun Road · Pudong, Shanghai, P.R.China 201210

徐德勤 · 上海市浦东张江高科技园区芳春路400号2幢502室 201210

 +86-21-58440056/58440027 ·  +86-21-58440031 ·  +86-13801910931 · xudeqin@wiska.cn · www.wiska.cn



Your Contact:

WISKA Electric Systems (Shanghai) Co., Ltd · 维司卡电气设备(上海)有限公司

Mr. Xu Deqin · Room 502, Building 2, No.400 Fangchun Road · Pudong, Shanghai, P.R.China 201210

徐德勤 · 上海市浦东张江高科技园区芳春路400号2幢502室 201210

☎ +86-21-58440056/58440027 · 📠 +86-21-58440031 · 📱 +86-13801910931 · ✉ xudeqin@wiska.cn · 🌐 www.wiska.cn