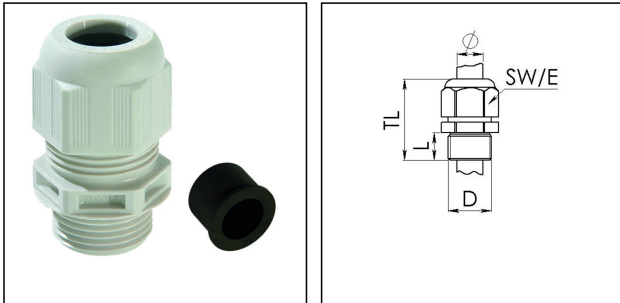


ESKV-RDE 40

Cable gland with reduction sealing insert, polyamide, M40, RAL 7035



Product illustrations are exemplary and may differ from the chosen product. Further variants and individual customization, we will gladly provide you on request.



Material cable gland	Polyamide
Material sealing gasket	EPDM
Temp. range min	-40 °C
Temp. range max	100 °C
Protection class	IP69, IP68 (5 bar 30 min)
Thread type	M
Ø Connection thread D	40
Lead	1,5
Length screw-in thread L	12 mm
Ø cable diameter min	12 mm
Ø cable diameter max	28 mm
Key width SW	46 mm
Collar diameter (E)	51 mm
Total length TL	52 mm - 65 mm
Glow wire test	750 °C
Type of cable anchorage	A
Install. torques fitting	20 N m
Install. torques cap nut	20 N m
Impact category	4
Equipment	Incl. connection thread gasket
Advice	With reduction insert
Product Color	RAL 7035
Order no. RAL 7035	10064981
Type	ESKV-RDE 40
Packing unit	10

Your Contact:

WISKA Electric Systems (Shanghai) Co., Ltd · 维司卡电气设备(上海)有限公司

Mr. Xu Deqin · Room 502, Building 2, No.400 Fangchun Road · Pudong, Shanghai, P.R.China 201210

徐德勤 · 上海市浦东张江高科技园区芳春路400号2幢502室 201210

☎ +86-21-58440056/58440027 · 📠 +86-21-58440031 · 📠 +86-13801910931 · ✉ xudeqin@wiska.cn · 🌐 www.wiska.cn

ETIM-Classification

EC000441

Recommended accessories

EMUG 40	10060775
BS 20	10064013

12.11.2018

Your Contact:

WISKA Electric Systems (Shanghai) Co., Ltd · 维司卡电气设备(上海)有限公司

Mr. Xu Deqin · Room 502, Building 2, No.400 Fangchun Road · Pudong, Shanghai, P.R.China 201210

徐德勤 · 上海市浦东张江高科技园区芳春路400号2幢502室 201210

☎ +86-21-58440056/58440027 · 📠 +86-21-58440031 · 📱 +86-13801910931 · ✉ xudeqin@wiska.cn · 🌐 www.wiska.cn



Your Contact:

WISKA Electric Systems (Shanghai) Co., Ltd · 维司卡电气设备(上海)有限公司

Mr. Xu Deqin · Room 502, Building 2, No.400 Fangchun Road · Pudong, Shanghai, P.R.China 201210

徐德勤 · 上海市浦东张江高科技园区芳春路400号2幢502室 201210

☎ +86-21-58440056/58440027 · 📠 +86-21-58440031 · 📱 +86-13801910931 · ✉ xudeqin@wiska.cn · 🌐 www.wiska.cn