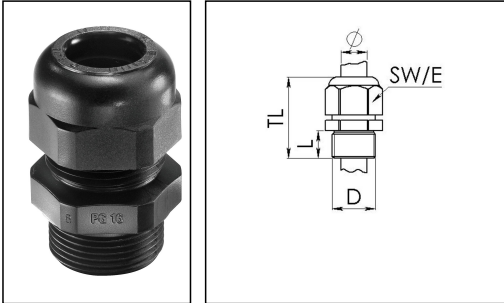


## SKV 9

Cable gland, polyamide, Pg 9, RAL 9005



Products may differ in size, colour and appearance to those shown. If you require further information or customisation, please contact us directly.



Material cable gland	Polyamide
Material sealing gasket	EPDM
Temp. range min	-40 °C
Temp. range max	100 °C
Protection class	IP68 (5 bar 30 min)
Thread type	PG
Ø Connection thread D	9
Length screw-in thread L	9 mm
Ø cable diameter min	4 mm
Ø cable diameter max	8 mm
Key width SW	19 mm
Collar diameter (E)	21 mm
Total length TL	32 mm - 36 mm
Glow wire test	750 °C
Type of cable anchorage	A
Product Color	RAL 9005
Order no. RAL 9005	10066192
Type	SKV 9
Packing unit	50
ETIM-Classification	EC000441

### Recommended accessories

MUG 9	10060681
-------	----------

Your Contact:

WISKA Electric Systems (Shanghai) Co., Ltd · 维司卡电气设备(上海)有限公司

Room 502, Building 2, No.400 Fangchun Road · Pudong, Shanghai, P.R.China 201210

上海市浦东张江高科技园区芳春路400号2幢502室 201210

☎ +86-21-58440056/58440027 · 📠 +86-21-58440031 · contact@wiska.cn · www.wiska.cn

<b>ADR 9</b>	10061420
<b>BS 8</b>	10064006

20.10.2019

Your Contact:

**WISKA Electric Systems (Shanghai) Co., Ltd** · 维司卡电气设备(上海)有限公司  
Room 502, Building 2, No.400 Fangchun Road · Pudong, Shanghai, P.R.China 201210  
上海市浦东张江高科技园区芳春路400号2幢502室 201210  
 +86-21-58440056/58440027 ·  +86-21-58440031 · [contact@wiska.cn](mailto:contact@wiska.cn) · [www.wiska.cn](http://www.wiska.cn)



Your Contact:

WISKA Electric Systems (Shanghai) Co., Ltd · 维司卡电气设备(上海)有限公司

Room 502, Building 2, No.400 Fangchun Road · Pudong, Shanghai, P.R.China 201210

上海市浦东张江高科技园区芳春路400号2幢502室 201210

☎ +86-21-58440056/58440027 · 📠 +86-21-58440031 · contact@wiska.cn · www.wiska.cn