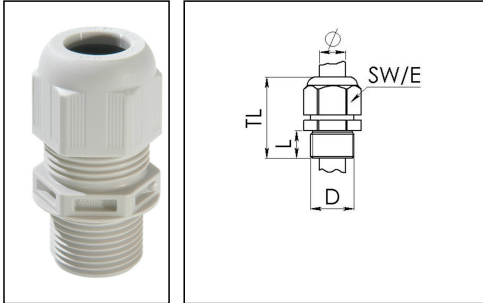


## ESKV-L 16

Cable gland, polyamide, M16, RAL 7035 with long thread



Product illustrations are exemplary and may differ from the chosen product. Further variants and individual customization, we will gladly provide you on request.



Material cable gland	Polyamide
Material sealing gasket	EPDM
Protection class	IP69, IP68 (5 bar 30 min)
Temp. range min	-40 °C
Temp. range max	100 °C
Glow wire test	750 °C
Thread type	M
Ø Connection thread D	16
Lead	1,5
Length screw-in thread L	15 mm
Ø cable diameter min	4,5 mm
Ø cable diameter max	10 mm
Ø cable diameter UL	6 mm - 8,6 mm
Key width SW	20 mm
Collar diameter (E)	22 mm
Total length TL	37 mm - 43 mm
Type of cable anchorage	A
Install. torques fitting	3,5 N m
Install. torques cap nut	1,5 N m
Impact category	3
Product Color	RAL 7035
Type	ESKV-L 16
Order no. RAL 7035	10066391
Packing unit	50
ETIM-Classification	EC000441

Your Contact:

WISKA Electric Systems (Shanghai) Co., Ltd

Mr. Xu Deqin · Room 502, Building 3, No.400 Fangchun Road · Pudong Zhangjiang High-Tech Industry Park · Shanghai, China

☎ +86 21 58440056 · 📠 +86 21 58440031

xudeqin@wiska.cn · www.wiska.cn

Recommended accessories



<b>EMUG 16</b>	10060771
<b>RDE 16</b>	10062184
<b>EADR 16</b>	10062802
<b>BS 10</b>	10064008
<b>MFD 16/02/040</b>	10064393
<b>MFD 16/03/021</b>	10101014

21.07.2018

Your Contact:

**WISKA Electric Systems (Shanghai) Co., Ltd**

Mr. Xu Deqin · Room 502, Building 3, No.400 Fangchun Road · Pudong Zhangjiang High-Tech Industry Park · Shanghai, China

 +86 21 58440056 ·  +86 21 58440031

xudeqin@wiska.cn · www.wiska.cn



Your Contact:

**WISKA Electric Systems (Shanghai) Co., Ltd**

Mr. Xu Deqin · Room 502, Building 3, No.400 Fangchun Road · Pudong Zhangjiang High-Tech Industry Park · Shanghai, China

☎ +86 21 58440056 · 📠 +86 21 58440031

xudeqin@wiska.cn · www.wiska.cn