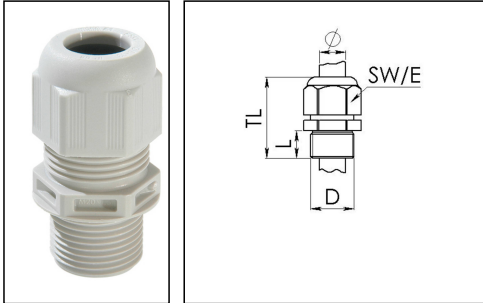


ESKV-L 40

Cable gland, polyamide, M40, RAL 7035 with long thread



Product illustrations are exemplary and may differ from the chosen product. Further variants and individual customization, we will gladly provide you on request.



Material cable gland	Polyamide
Material sealing gasket	EPDM
Protection class	IP69, IP68 (5 bar 30 min)
Temp. range min	-40 °C
Temp. range max	100 °C
Glow wire test	750 °C
Thread type	M
Ø Connection thread D	40
Lead	1,5
Length screw-in thread L	18 mm
Ø cable diameter min	16 mm
Ø cable diameter max	28 mm
Ø cable diameter UL	17,4 mm - 26,4 mm
Key width SW	46 mm
Collar diameter (E)	51 mm
Total length TL	58 mm - 71 mm
Type of cable anchorage	A
Install. torques fitting	20 N m
Install. torques cap nut	20 N m
Impact category	4
Equipment	Incl. connection thread gasket
Product Color	RAL 7035
Type	ESKV-L 40
Order no. RAL 7035	10066395
Packing unit	10

Your Contact:

WISKA Electric Systems (Shanghai) Co., Ltd · 维司卡电气设备(上海)有限公司

Mr. Xu Deqin · Room 502, Building 2, No.400 Fangchun Road · Pudong, Shanghai, P.R.China 201210

徐德勤 · 上海市浦东张江高科技园区芳春路400号2幢502室 201210

☎ +86-21-58440056/58440027 · 📠 +86-21-58440031 · 📠 +86-13801910931 · ✉ xudeqin@wiska.cn · 🌐 www.wiska.cn

Recommended accessories

EMUG 40	10060775
RDE 40	10062187
BS 28	10064016
MFD 40/08/060	10064346
MFD 40/07/080	10064347
MFD 40/07/070	10064348
MFD 40/04/100	10101017
MFD 40/09/069	10101427
MFD 40/03/125	10102054
MFD 40/06/065	10102171
MFD 40/06/090	10102172

19.11.2018

Your Contact:

WISKA Electric Systems (Shanghai) Co., Ltd · 维司卡电气设备(上海)有限公司

Mr. Xu Deqin · Room 502, Building 2, No.400 Fangchun Road · Pudong, Shanghai, P.R.China 201210

徐德勤 · 上海市浦东张江高科技园区芳春路400号2幢502室 201210

☎ +86-21-58440056/58440027 · 📠 +86-21-58440031 · 📠 +86-13801910931 · ✉ xudeqin@wiska.cn · 🌐 www.wiska.cn



Your Contact:

WISKA Electric Systems (Shanghai) Co., Ltd · 维司卡电气设备(上海)有限公司

Mr. Xu Deqin · Room 502, Building 2, No.400 Fangchun Road · Pudong, Shanghai, P.R.China 201210

徐德勤 · 上海市浦东张江高科技园区芳春路400号2幢502室 201210

☎ +86-21-58440056/58440027 · 📠 +86-21-58440031 · 📞 +86-13801910931 · ✉ xudeqin@wiska.cn · 🌐 www.wiska.cn