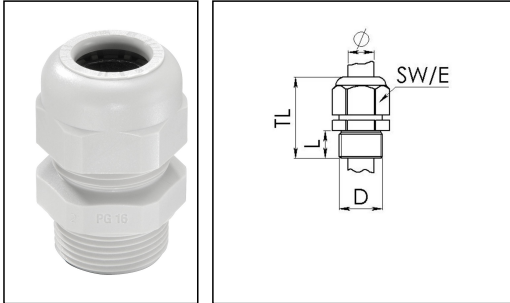


SKV 42

Cable gland, polyamide, Pg 42, RAL 7035



Products may differ in size, colour and appearance to those shown. If you require further information or customisation, please contact us directly.



Material cable gland	Polyamide
Material sealing gasket	EPDM
Temp. range min	-40 °C
Temp. range max	100 °C
Protection class	IP68 (5 bar 30 min)
Thread type	PG
Ø Connection thread D	42
Length screw-in thread L	14 mm
Ø cable diameter min	28 mm
Ø cable diameter max	38 mm
Key width SW	60 mm
Collar diameter (E)	67 mm
Total length TL	58 mm - 67 mm
Glow wire test	750 °C
Type of cable anchorage	A
Product Color	RAL 7035
Order no. RAL 7035	10066408
Type	SKV 42
Packing unit	5
ETIM-Classification	EC000441

Recommended accessories

MUG 42	10060678
--------	----------

Your Contact:

WISKA Electric Systems (Shanghai) Co., Ltd · 维司卡电气设备(上海)有限公司

Room 502, Building 2, No.400 Fangchun Road · Pudong, Shanghai, P.R.China 201210

上海市浦东张江高科技园区芳春路400号2幢502室 201210

☎ +86-21-58440056/58440027 · 📠 +86-21-58440031 · contact@wiska.cn · www.wiska.cn

ADR 42

10061427

BS 38

10064018



20.10.2019

Your Contact:

WISKA Electric Systems (Shanghai) Co., Ltd · 维司卡电气设备(上海)有限公司

Room 502, Building 2, No.400 Fangchun Road · Pudong, Shanghai, P.R.China 201210

上海市浦东张江高科技园区芳春路400号2幢502室 201210

 +86-21-58440056/58440027 ·  +86-21-58440031 · contact@wiska.cn · www.wiska.cn



Your Contact:

WISKA Electric Systems (Shanghai) Co., Ltd · 维司卡电气设备(上海)有限公司

Room 502, Building 2, No.400 Fangchun Road · Pudong, Shanghai, P.R.China 201210

上海市浦东张江高科技园区芳春路400号2幢502室 201210

☎ +86-21-58440056/58440027 · 📠 +86-21-58440031 · contact@wiska.cn · www.wiska.cn