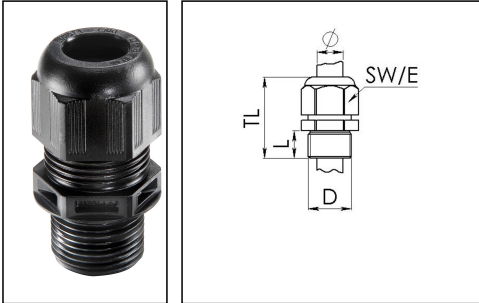


ESKV-L 20

Cable gland, polyamide, M20, RAL 9005 with long thread



Product illustrations are exemplary and may differ from the chosen product. Further variants and individual customization, we will gladly provide you on request.



Material cable gland	Polyamide
Material sealing gasket	EPDM
Protection class	IP69, IP68 (5 bar 30 min)
Temp. range min	-40 °C
Temp. range max	100 °C
Glow wire test	750 °C
Thread type	M
Ø Connection thread D	20
Lead	1,5
Length screw-in thread L	15 mm
Ø cable diameter min	6 mm
Ø cable diameter max	13 mm
Ø cable diameter UL	7,5 mm - 11,3 mm
Key width SW	24 mm
Collar diameter (E)	27 mm
Total length TL	41 mm - 50 mm
Type of cable anchorage	A
Install. torques fitting	4 N m
Install. torques cap nut	3 N m
Impact category	3
Product Color	RAL 9005
Type	ESKV-L 20
Order no. RAL 9005	10066502
Packing unit	50
ETIM-Classification	EC000441

Recommended accessories

MFD 20/02/065	10060953
EMUG 20	10061782
RDE 20	10062185
EADR 20	10062803
BS 13	10064010
MFD 20/03/040	10064341
MFD 20/02/060	10064395
MFD 20/02/050	10101015
MFD 20/03/045	10102306

26.04.2018

