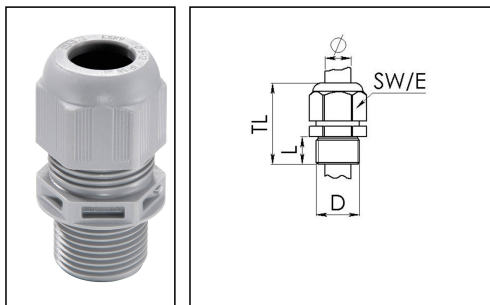


ESKV-L 16

Cable gland, polyamide, M16, RAL 7001 with long thread



Product illustrations are exemplary and may differ from the chosen product. Further variants and individual customization, we will gladly provide you on request.



Material cable gland	Polyamide
Material sealing gasket	EPDM
Protection class	IP68 (5 bar 30 min), IP69
Temp. range min	-40 °C
Temp. range max	100 °C
Glow wire test	750 °C
Thread type	M
Ø Connection thread D	16
Lead	1,5
Length screw-in thread L	15 mm
Ø cable diameter min	4,5 mm
Ø cable diameter max	10 mm
Ø cable diameter UL	6 mm - 8,6 mm
Key width SW	20 mm
Collar diameter (E)	22 mm
Total length TL	37 mm - 43 mm
Type of cable anchorage	A
Install. torques fitting	3,5 N m
Install. torques cap nut	1,5 N m
Impact category	3
Product Color	RAL 7001
Type	ESKV-L 16
Order no. RAL 7001	10066517
Packing unit	50
ETIM-Classification	EC000441

Your Contact:

WISKA Electric Systems (Shanghai) Co., Ltd · 维司卡电气设备(上海)有限公司

Mr. Xu Deqin · Room 502, Building 2, No.400 Fangchun Road · Pudong, Shanghai, P.R.China 201210

徐德勤 · 上海市浦东张江高科技园区芳春路400号2幢502室 201210

☎ +86-21-58440056/58440027 · 📠 +86-21-58440031 · 📠 +86-13801910931 · ✉ xudeqin@wiska.cn · 🌐 www.wiska.cn

Recommended accessories

RDE 16	10062184
EMUG 16	10062713
EADR 16	10062802
BS 10	10064008
MFD 16/02/040	10064393
MFD 16/03/021	10101014

19.11.2018

Your Contact:

WISKA Electric Systems (Shanghai) Co., Ltd · 维司卡电气设备(上海)有限公司

Mr. Xu Deqin · Room 502, Building 2, No.400 Fangchun Road · Pudong, Shanghai, P.R.China 201210

徐德勤 · 上海市浦东张江高科技园区芳春路400号2幢502室 201210

☎ +86-21-58440056/58440027 · 📠 +86-21-58440031 · 📱 +86-13801910931 · ✉ xudeqin@wiska.cn · 🌐 www.wiska.cn



Your Contact:

WISKA Electric Systems (Shanghai) Co., Ltd · 维司卡电气设备(上海)有限公司

Mr. Xu Deqin · Room 502, Building 2, No.400 Fangchun Road · Pudong, Shanghai, P.R.China 201210

徐德勤 · 上海市浦东张江高科技园区芳春路400号2幢502室 201210

☎ +86-21-58440056/58440027 · 📠 +86-21-58440031 · 📞 +86-13801910931 · ✉ xudeqin@wiska.cn · 🌐 www.wiska.cn