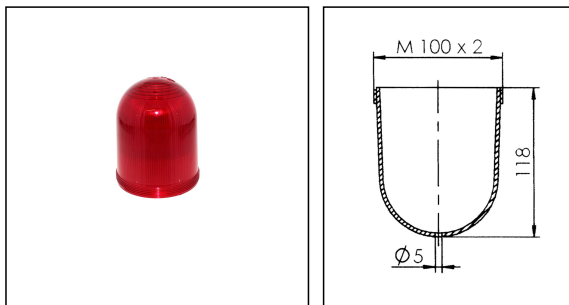


## SP-1931/CR/oT/red

Plastic globe for HNA standard light 1131/CR



Products may differ in size, colour and appearance to those shown. If you require further information or customisation, please contact us directly.

Type	SP-1931/CR/oT/red
WISKA-Order no.	22000189
Packing unit	1
Material globe/diffuser	Polycarbonate
Globe colour	Red
Equipment	without drope hole
External dimensions LxWxH	118x100mm
Weight	0,11 kg
Tariff number	94059200

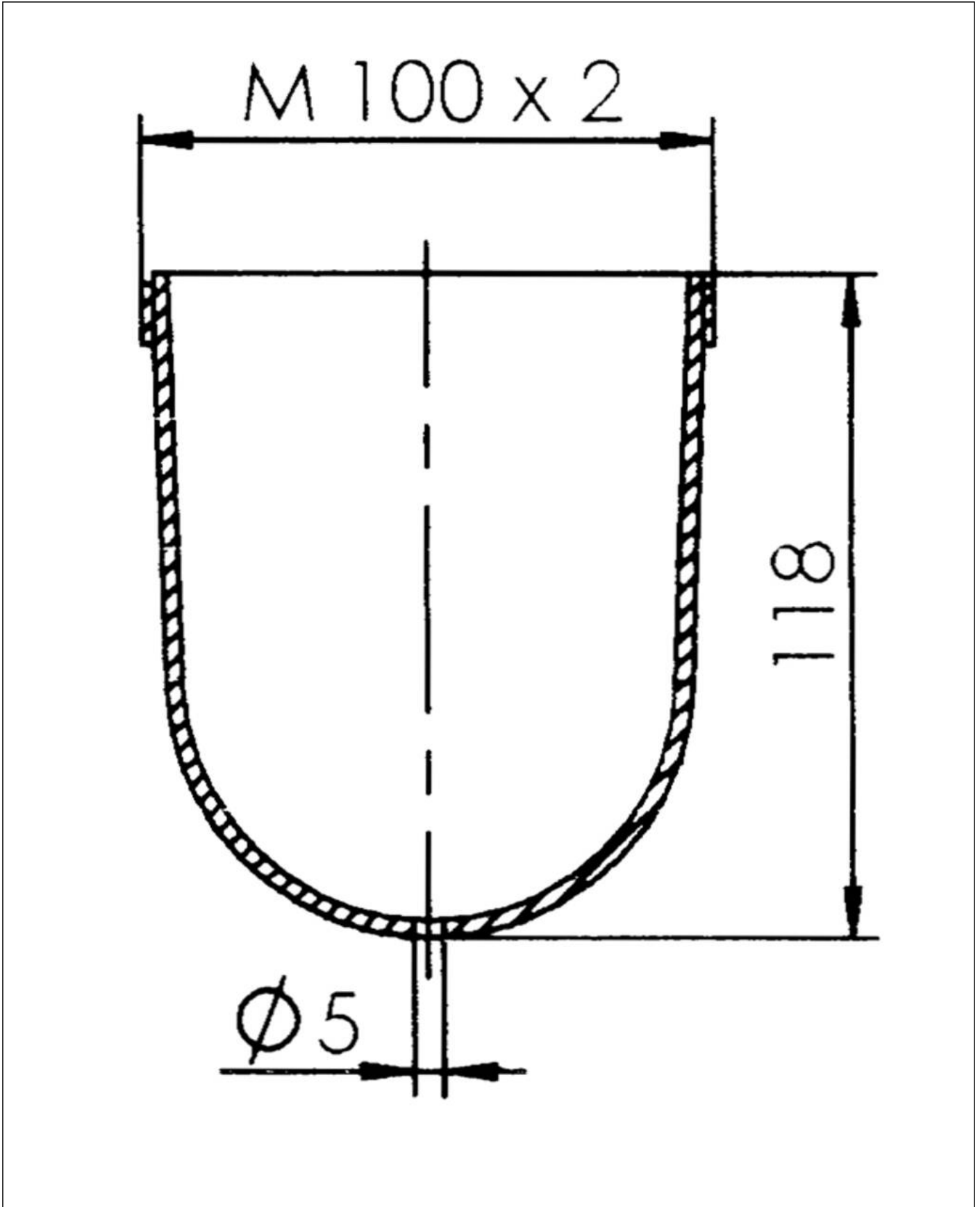
Remarks:

Structured globe made of polycarbonate, red  
 with threaded ring M100x2  
 without drope hole  
 suitable for: HNA-standard fixtures 1131/CR

22.05.2026

Your Contact:

WISKA Electric Systems (Shanghai) Co., Ltd · 维司卡电气设备(上海)有限公司  
 Room 703, Building 4, No. 258 Jinzang Road, Pudong Jinqiao Export Processing Zone, Shanghai, P.R.China 201206  
 上海市浦东新区金桥出口加工区金藏路258号4号楼703室 201206  
 ☎ +86-21-58440056 · ☎ +86-21-58440027 · 📠 +86-21-58440031 · contact@wiska.cn · www.wiska.cn



Your Contact:

WISKA Electric Systems (Shanghai) Co., Ltd · 维司卡电气设备(上海)有限公司

Room 703, Building 4, No. 258 Jinzang Road, Pudong Jinqiao Export Processing Zone, Shanghai, P.R.China 201206

上海市浦东新区金桥出口加工区金藏路258号4号楼703室 201206

☎ +86-21-58440056 · ☎ +86-21-58440027 · 📠 +86-21-58440031 · contact@wiska.cn · www.wiska.cn