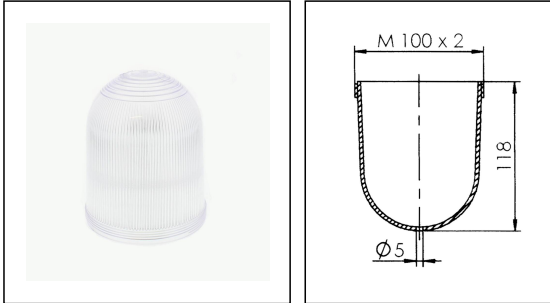


SP-1931/CR/mT/clear

Plastic globe for HNA standard light 1131/CR



Products may differ in size, colour and appearance to those shown. If you require further information or customisation, please contact us directly.

Type	SP-1931/CR/mT/clear
WISKA-Order no.	22000290
Packing unit	1
Material globe/diffuser	Polycarbonate
Globe colour	Clear
Temp. range min	-25 °C
Temp. range max	45 °C
Equipment	with drope hole
External dimensions LxWxH	118x100mm
Weight	0,11 kg
Tariff number	94059200

Remarks:

Structured globe

Material: polycarbonate, clear

with threaded ring M100x2

with drope hole

suitable for: HNA-standard fixtures 1131/CR

22.05.2026

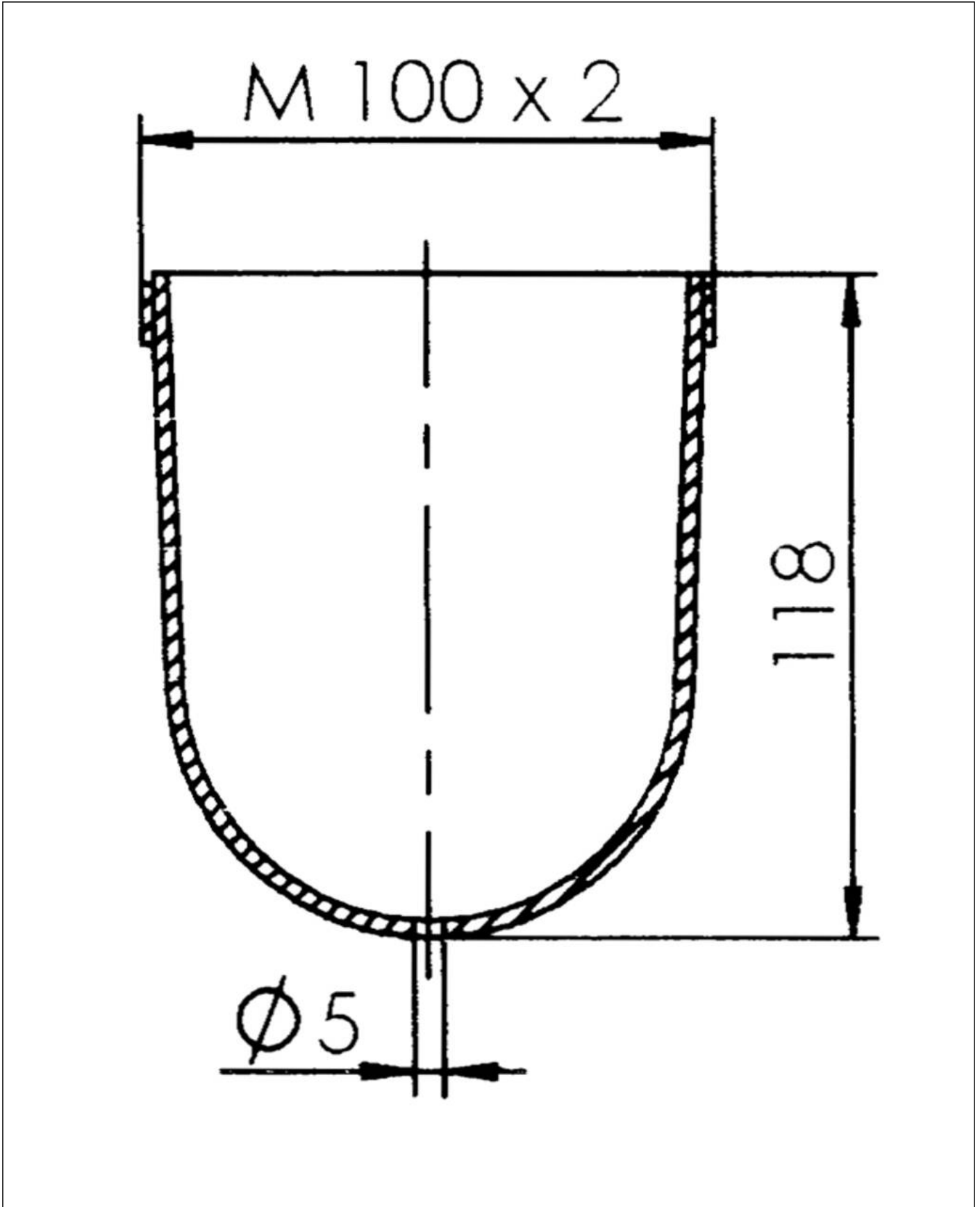
Your Contact:

WISKA Electric Systems (Shanghai) Co., Ltd · 维司卡电气设备(上海)有限公司

Room 703, Building 4, No. 258 Jinzang Road, Pudong Jinqiao Export Processing Zone, Shanghai, P.R.China 201206

上海市浦东新区金桥出口加工区金藏路258号4号楼703室 201206

+86-21-58440056 · +86-21-58440027 · +86-21-58440031 · contact@wiska.cn · www.wiska.cn



Your Contact:

WISKA Electric Systems (Shanghai) Co., Ltd · 维司卡电气设备(上海)有限公司

Room 703, Building 4, No. 258 Jinzang Road, Pudong Jinqiao Export Processing Zone, Shanghai, P.R.China 201206

上海市浦东新区金桥出口加工区金藏路258号4号楼703室 201206

☎ +86-21-58440056 · ☎ +86-21-58440027 · 📠 +86-21-58440031 · contact@wiska.cn · www.wiska.cn