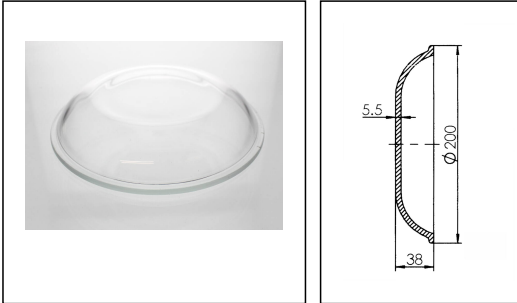


## SP-1905 Glass bowl 1026/1027

Glass bowl for 1026, 1027



Products may differ in size, colour and appearance to those shown. If you require further information or customisation, please contact us directly.

Type	SP-1905 Glass bowl 1026/1027
WISKA-Order no.	22000301
Packing unit	1
Material globe/diffuser	Glass
Globe colour	Clear
Weight	0,59 kg
Tariff number	94059190

Remarks:

Glass bowl clear

Ø 200x38mm

suitable for: flat type ceiling fixtures 1026 and 1027

22.05.2026

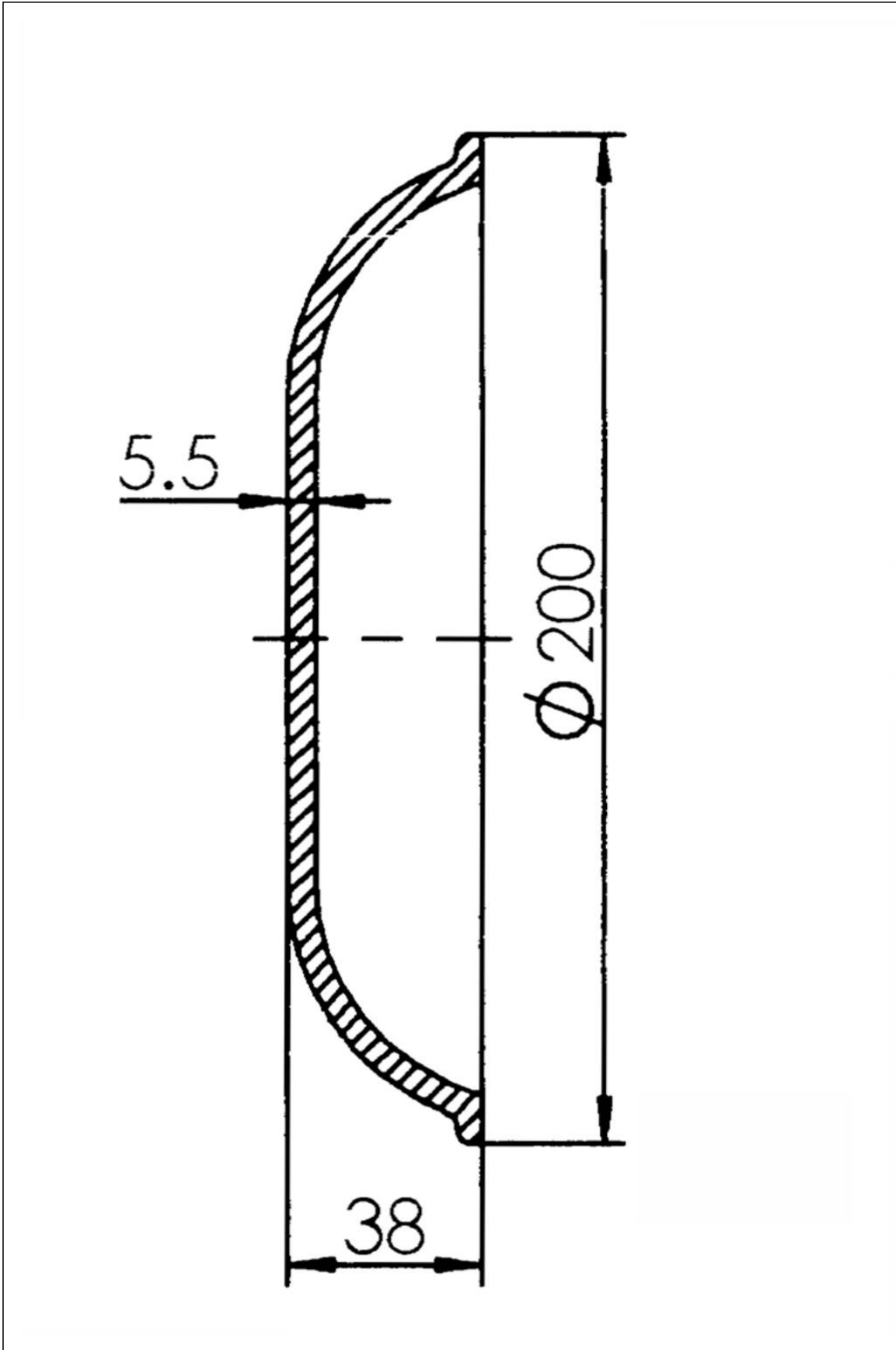
Your Contact:

WISKA Electric Systems (Shanghai) Co., Ltd · 维司卡电气设备(上海)有限公司

Room 703, Building 4, No. 258 Jinzang Road, Pudong Jinqiao Export Processing Zone, Shanghai, P.R.China 201206

上海市浦东新区金桥出口加工区金藏路258号4号楼703室 201206

☎ +86-21-58440056 · ☎ +86-21-58440027 · 📠 +86-21-58440031 · contact@wiska.cn · www.wiska.cn



Your Contact:

WISKA Electric Systems (Shanghai) Co., Ltd · 维司卡电气设备(上海)有限公司

Room 703, Building 4, No. 258 Jinzang Road, Pudong Jinqiao Export Processing Zone, Shanghai, P.R.China 201206

上海市浦东新区金桥出口加工区金藏路258号4号楼703室 201206

☎ +86-21-58440056 · ☎ +86-21-58440027 · 📠 +86-21-58440031 · contact@wiska.cn · www.wiska.cn