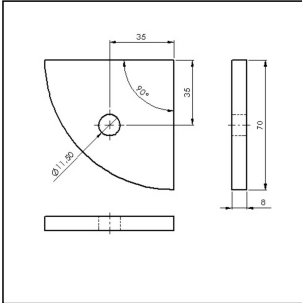


## SP-Rubber pads navigation light (4 pcs)

Vibration damper 4 pieces



Products may differ in size, colour and appearance to those shown. If you require further information or customisation, please contact us directly.

<b>Type</b>	SP-Rubber pads navigation light (4 pcs)
<b>WISKA-Order no.</b>	22000909
<b>Packing unit</b>	4
<b>Tariff number</b>	40169300

Remarks:

Spare part for Navigation lights

serie 760 / 780

Packing unit: 4 pieces

22.05.2026

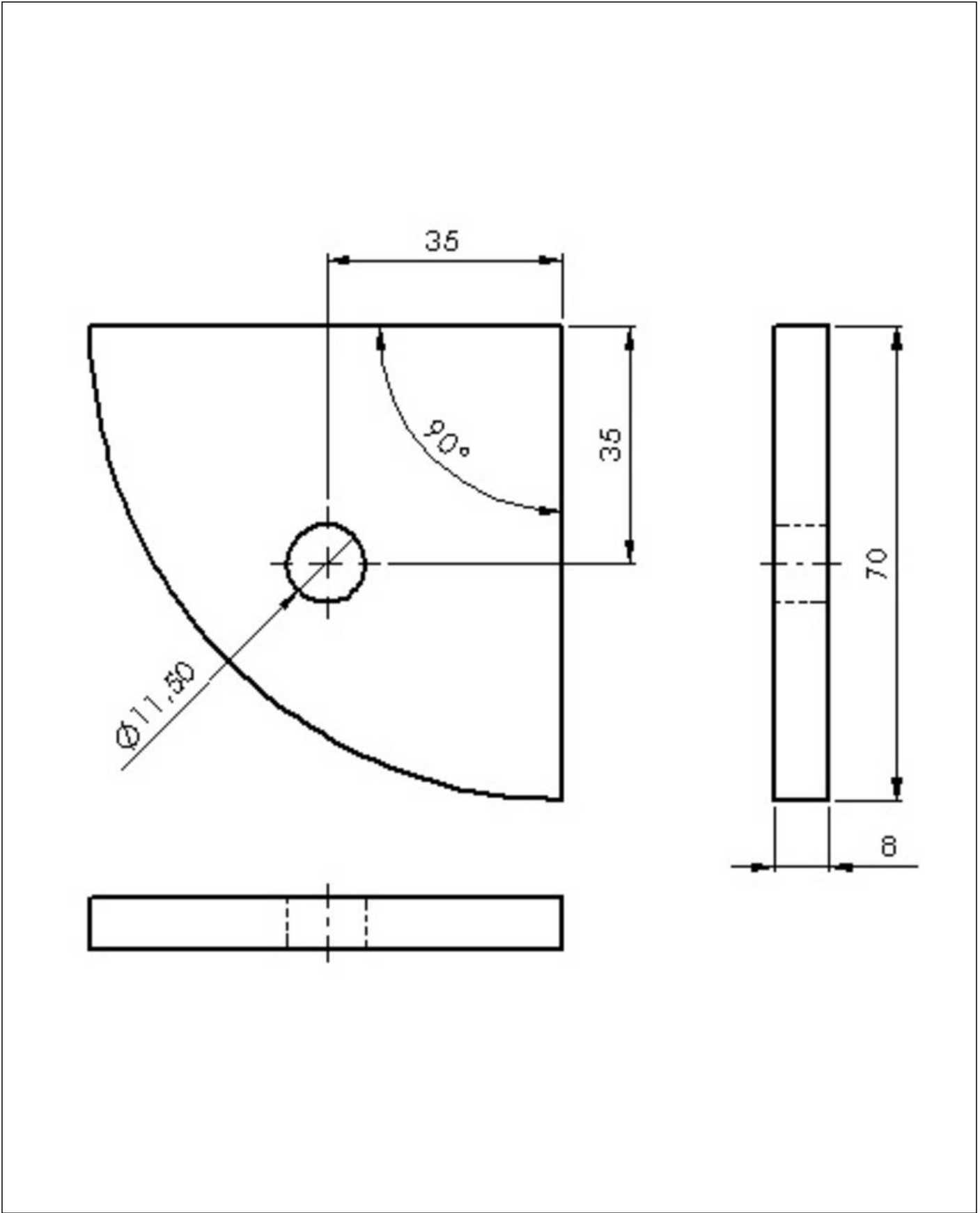
Your Contact:

WISKA Electric Systems (Shanghai) Co., Ltd · 维司卡电气设备(上海)有限公司

Room 703, Building 4, No. 258 Jinzang Road, Pudong Jinqiao Export Processing Zone, Shanghai, P.R.China 201206

上海市浦东新区金桥出口加工区金藏路258号4号楼703室 201206

☎ +86-21-58440056 · ☎ +86-21-58440027 · 📠 +86-21-58440031 · [contact@wiska.cn](mailto:contact@wiska.cn) · [www.wiska.cn](http://www.wiska.cn)



Your Contact:

WISKA Electric Systems (Shanghai) Co., Ltd · 维司卡电气设备(上海)有限公司

Room 703, Building 4, No. 258 Jinzang Road, Pudong Jinqiao Export Processing Zone, Shanghai, P.R.China 201206

上海市浦东新区金桥出口加工区金藏路258号4号楼703室 201206

☎ +86-21-58440056 · ☎ +86-21-58440027 · 📠 +86-21-58440031 · contact@wiska.cn · www.wiska.cn