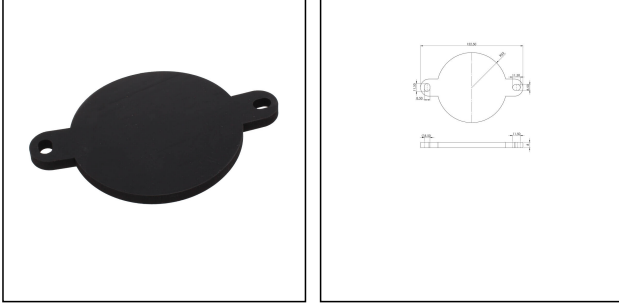


SP-Vibration damper light 2000

Vibration damper



Products may differ in size, colour and appearance to those shown. If you require further information or customisation, please contact us directly.

Type	SP-Vibration damper light 2000
WISKA-Order no.	22000912
Packing unit	1
Tariff number	40169300

Remarks:

Material: Elastomer

Colour: black

22.05.2026

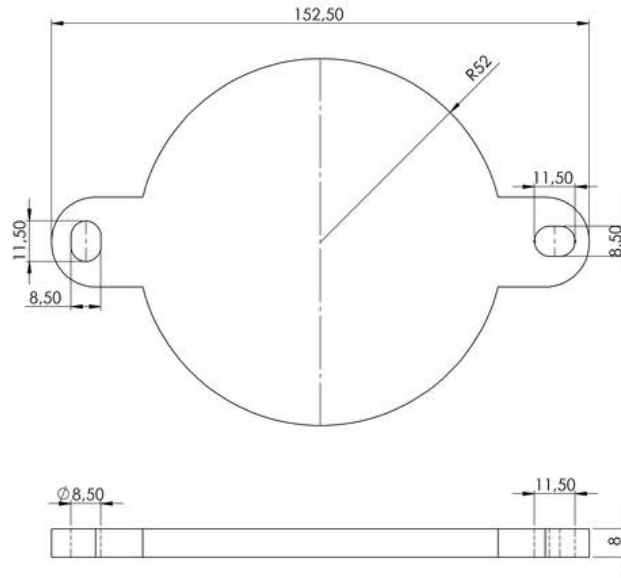
Your Contact:

WISKA Electric Systems (Shanghai) Co., Ltd · 维司卡电气设备(上海)有限公司

Room 703, Building 4, No. 258 Jinzang Road, Pudong Jinqiao Export Processing Zone, Shanghai, P.R.China 201206

上海市浦东新区金桥出口加工区金藏路258号4号楼703室 201206

☎ +86-21-58440056 · ☎ +86-21-58440027 · 📠 +86-21-58440031 · contact@wiska.cn · www.wiska.cn



Your Contact:

WISKA Electric Systems (Shanghai) Co., Ltd · 维司卡电气设备(上海)有限公司

Room 703, Building 4, No. 258 Jinzang Road, Pudong Jinqiao Export Processing Zone, Shanghai, P.R.China 201206

上海市浦东新区金桥出口加工区金藏路258号4号楼703室 201206

☎ +86-21-58440056 · ☎ +86-21-58440027 · 📠 +86-21-58440031 · contact@wiska.cn · www.wiska.cn

Other technical data on request / subject to change without notice