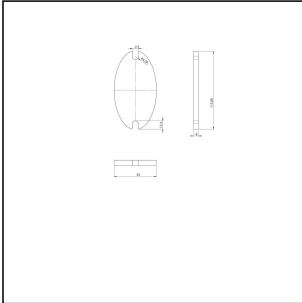


## SP-Vibration damper light 1131

### Vibration damper



Products may differ in size, colour and appearance to those shown. If you require further information or customisation, please contact us directly.

|                        |                                |
|------------------------|--------------------------------|
| <b>Type</b>            | SP-Vibration damper light 1131 |
| <b>WISKA-Order no.</b> | 22000913                       |
| <b>Packing unit</b>    | 4                              |
| <b>Tariff number</b>   | 40169300                       |

Remarks:

Material: Elastomer

Colour: black

22.05.2026

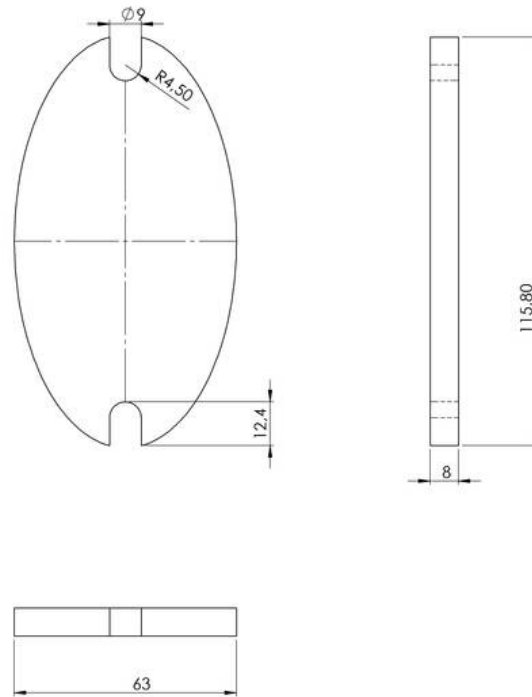
Your Contact:

**WISKA Electric Systems (Shanghai) Co., Ltd · 维司卡电气设备(上海)有限公司**

Room 703, Building 4, No. 258 Jinzang Road, Pudong Jinqiao Export Processing Zone, Shanghai, P.R.China 201206

上海市浦东新区金桥出口加工区金藏路258号4号楼703室 201206

☎ +86-21-58440056 · ☎ +86-21-58440027 · 📠 +86-21-58440031 · [contact@wiska.cn](mailto:contact@wiska.cn) · [www.wiska.cn](http://www.wiska.cn)



Your Contact:

WISKA Electric Systems (Shanghai) Co., Ltd · 维司卡电气设备(上海)有限公司

Room 703, Building 4, No. 258 Jinzang Road, Pudong Jinqiao Export Processing Zone, Shanghai, P.R.China 201206

上海市浦东新区金桥出口加工区金藏路258号4号楼703室 201206

☎ +86-21-58440056 · ☎ +86-21-58440027 · 📠 +86-21-58440031 · contact@wiska.cn · www.wiska.cn