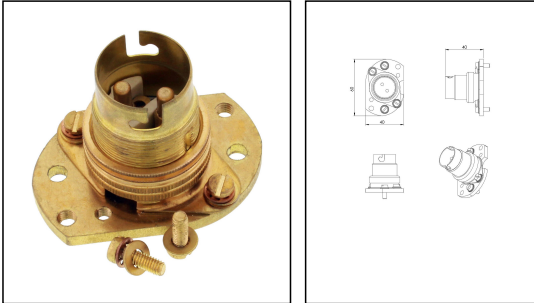


SP-1975 Lampholder B22d, HNA

2-Mounting Feed Lampholder B22d



Products may differ in size, colour and appearance to those shown. If you require further information or customisation, please contact us directly.

Type	SP-1975 Lampholder B22d, HNA
WISKA-Order no.	22001038
Packing unit	1
Lampholder	B22d
Material	Brass
Temp. range min	-25 °C
Temp. range max	45 °C
Weight	0,04 kg
Tariff number	85366110

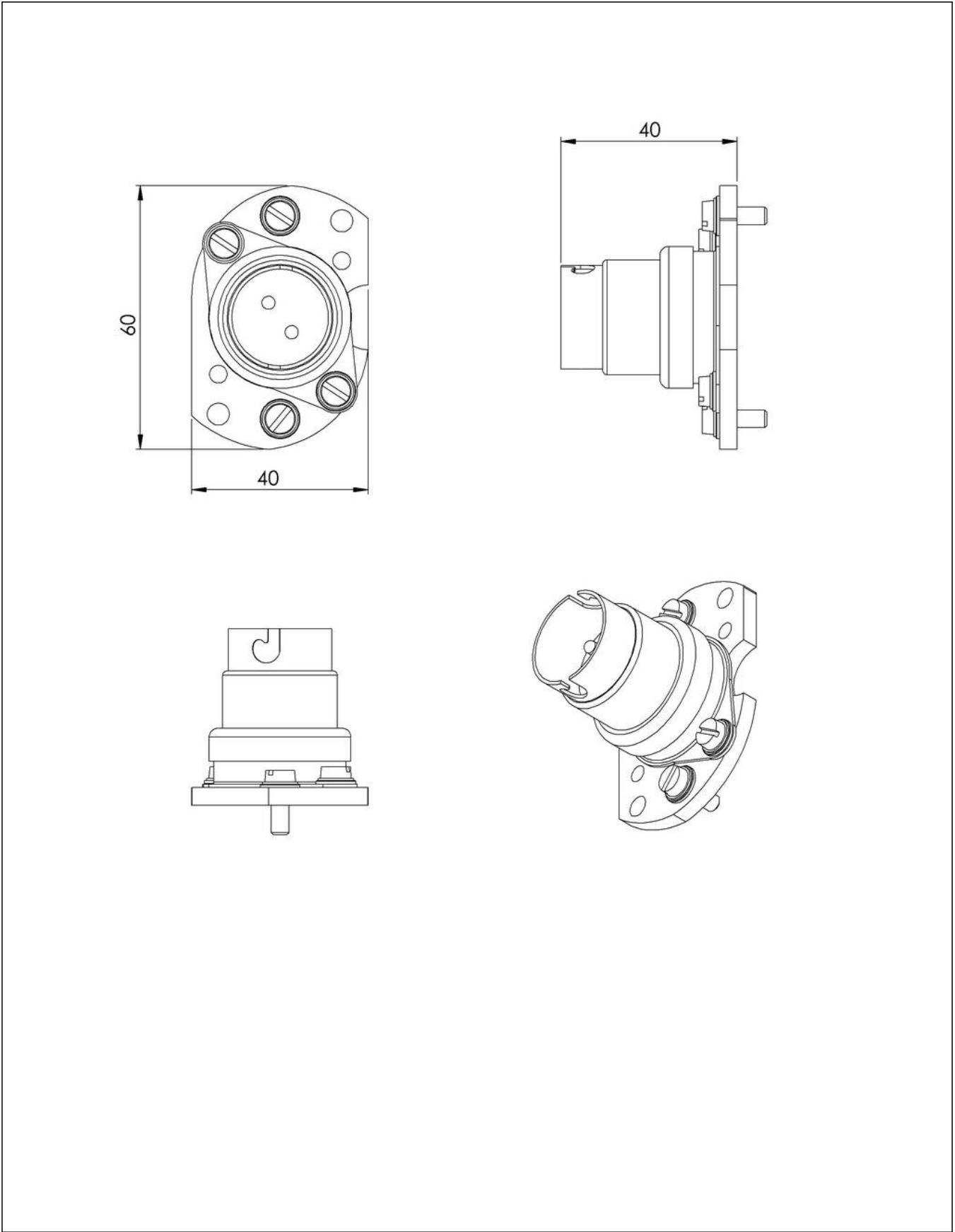
Remarks:

Material: Brass
 Rated value: 250V/4A
 ceramic insert
 with two mounting feet
 with suitable adapter, brass
 and mounting kit
 suitable for: 1131, 1026 and 533

22.05.2026

Your Contact:

WISKA Electric Systems (Shanghai) Co., Ltd · 维司卡电气设备(上海)有限公司
 Room 703, Building 4, No. 258 Jinzang Road, Pudong Jinqiao Export Processing Zone, Shanghai, P.R.China 201206
 上海市浦东新区金桥出口加工区金藏路258号4号楼703室 201206
 ☎ +86-21-58440056 · ☎ +86-21-58440027 · 📠 +86-21-58440031 · contact@wiska.cn · www.wiska.cn



Your Contact:

WISKA Electric Systems (Shanghai) Co., Ltd · 维司卡电气设备(上海)有限公司

Room 703, Building 4, No. 258 Jinzang Road, Pudong Jinqiao Export Processing Zone, Shanghai, P.R.China 201206

上海市浦东新区金桥出口加工区金藏路258号4号楼703室 201206

☎ +86-21-58440056 · ☎ +86-21-58440027 · 📠 +86-21-58440031 · contact@wiska.cn · www.wiska.cn

Other technical data on request / subject to change without notice