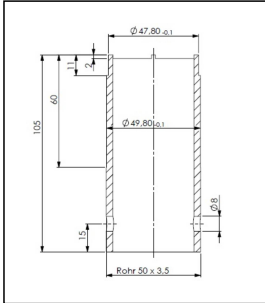


Key for 137/32+138/16

Mounting tool for assembling the socket insert



Products may differ in size, colour and appearance to those shown. If you require further information or customisation, please contact us directly.

Type	Key for 137/32+138/16
WISKA-Order no.	50012475
Material	galvanized steel
Surface	Chromium-plated
Tariff number	85366990

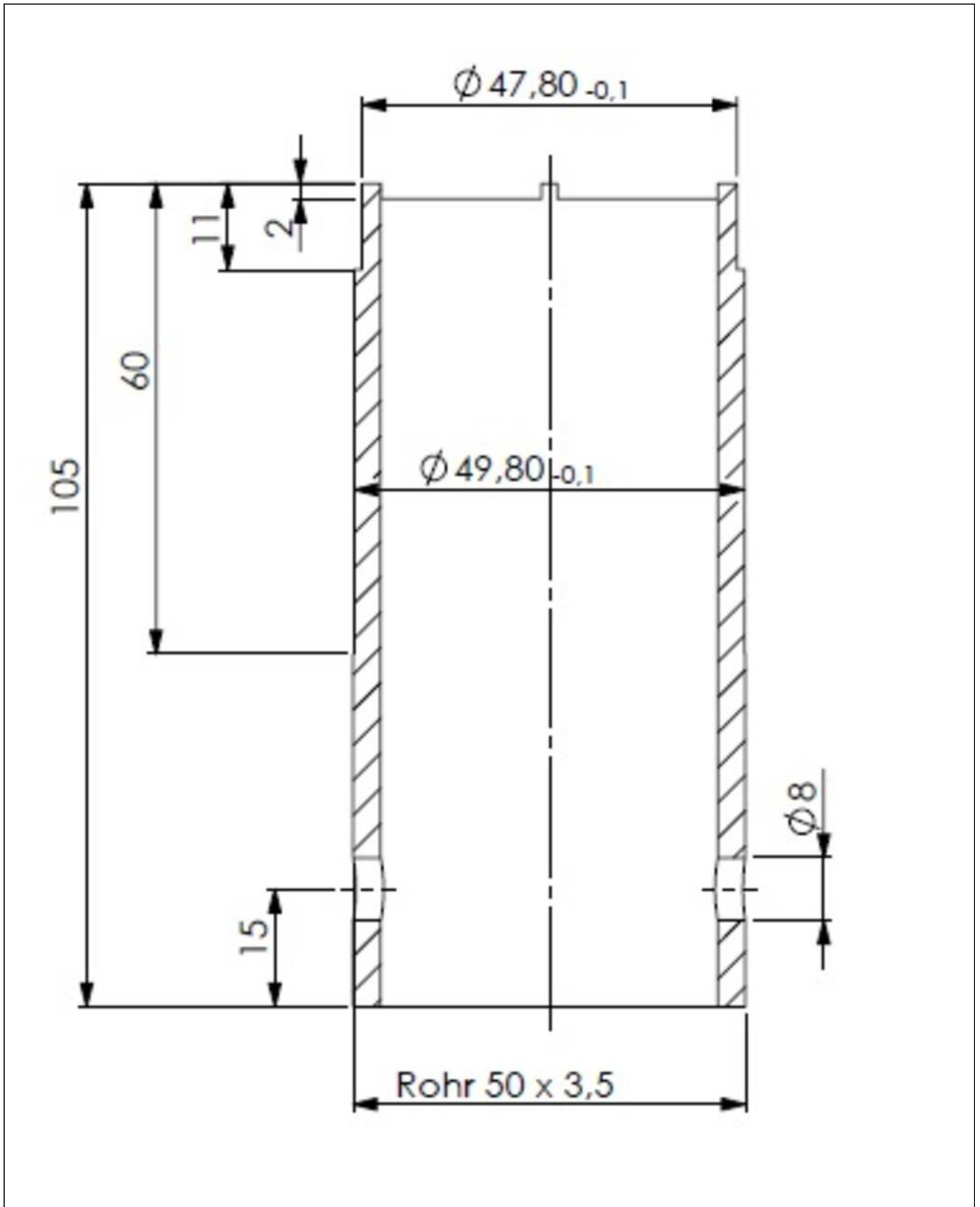
Remarks:

steel, galvanized and blue passivated
 suitable for CEE-plug insert
 137/32 and CEE-socket insert
 138/16

22.05.2026

Your Contact:

WISKA Electric Systems (Shanghai) Co., Ltd · 维司卡电气设备(上海)有限公司
 Room 703, Building 4, No. 258 Jinzang Road, Pudong Jinqiao Export Processing Zone, Shanghai, P.R.China 201206
 上海市浦东新区金桥出口加工区金藏路258号4号楼703室 201206
 ☎ +86-21-58440056 · ☎ +86-21-58440027 · 📠 +86-21-58440031 · contact@wiska.cn · www.wiska.cn



Your Contact:

WISKA Electric Systems (Shanghai) Co., Ltd · 维司卡电气设备(上海)有限公司

Room 703, Building 4, No. 258 Jinzang Road, Pudong Jinqiao Export Processing Zone, Shanghai, P.R.China 201206

上海市浦东新区金桥出口加工区金藏路258号4号楼703室 201206

+86-21-58440056 · +86-21-58440027 · +86-21-58440031 · contact@wiska.cn · www.wiska.cn