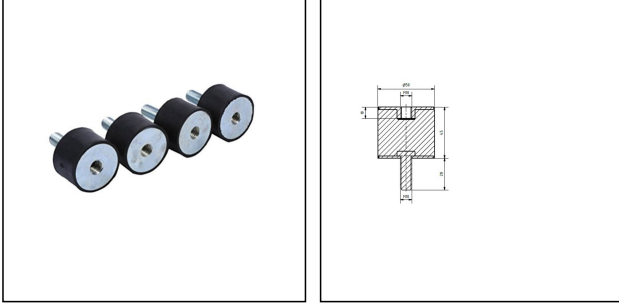


Vibration dampers -PB

Vibration damper for navigation lights



Products may differ in size, colour and appearance to those shown. If you require further information or customisation, please contact us directly.

Type	Vibration dampers -PB
WISKA-Order no.	50107255
Packing unit	4
Colour	Black
Tariff number	94059900

Remarks:

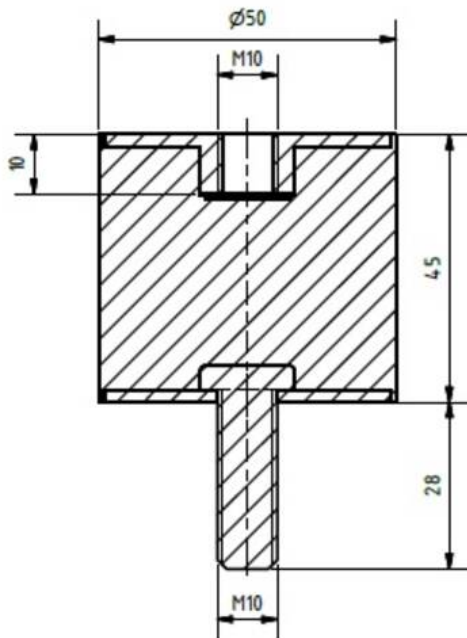
- consisting of stainless steel 1.4571 and natural rubber 55 ± 5 Shore A
- for lantern series 760 / 780

22.05.2026

Your Contact:

WISKA Electric Systems (Shanghai) Co., Ltd · 维司卡电气设备(上海)有限公司
 Room 703, Building 4, No. 258 Jinzang Road, Pudong Jinqiao Export Processing Zone, Shanghai, P.R.China 201206
 上海市浦东新区金桥出口加工区金藏路258号4号楼703室 201206

☎ +86-21-58440056 · ☎ +86-21-58440027 · 📠 +86-21-58440031 · contact@wiska.cn · www.wiska.cn



Your Contact:

WISKA Electric Systems (Shanghai) Co., Ltd · 维司卡电气设备(上海)有限公司

Room 703, Building 4, No. 258 Jinzang Road, Pudong Jinqiao Export Processing Zone, Shanghai, P.R.China 201206

上海市浦东新区金桥出口加工区金藏路258号4号楼703室 201206

☎ +86-21-58440056 · ☎ +86-21-58440027 · 📠 +86-21-58440031 · contact@wiska.cn · www.wiska.cn